



Electric boilers



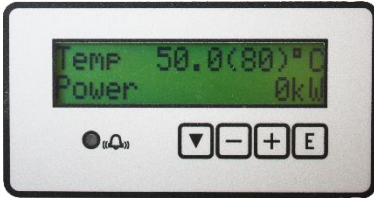
A Norwegian quality product 

MB 35 – 150 kW

August 2020 V2

MB 35-150 kW

The boiler can be delivered for 35-150 kW @ 230, 400 or 690 V. Operating temperature is max 100 °C, and max pressure is 6 bar. The boiler is equipped with an electronic temperature regulator with 7 steps and temperature setting range 5 – 100 °C. A display is indicating temperature, power, steps etc.



7- step electronic regulator with option for remote control

For optimized economical operation, an outdoor temperature sensor may be connected (optionally) for weather compensated heat curve regulation. Integrated step limitation allow power limitation if needed.

Remote control/signals to SCADA

The boiler is prepared for remote control of temperature and power by 0-10 V signals. External start/stop and alarm signals are available on the terminal connector. Readouts of supply temperature, preset temperature and power are also available as 0–10 V signals.



Picture showing MB 150kW/400V

Notice:

- Boiler power may vary by +/-10 % due to heating element tolerances.
- Ensure 1 m. clearance over the boiler for service and replacement of elements.
- Connections of power cables are made directly onto copper bars with lugs (not supplied)

The boilers are CE marked

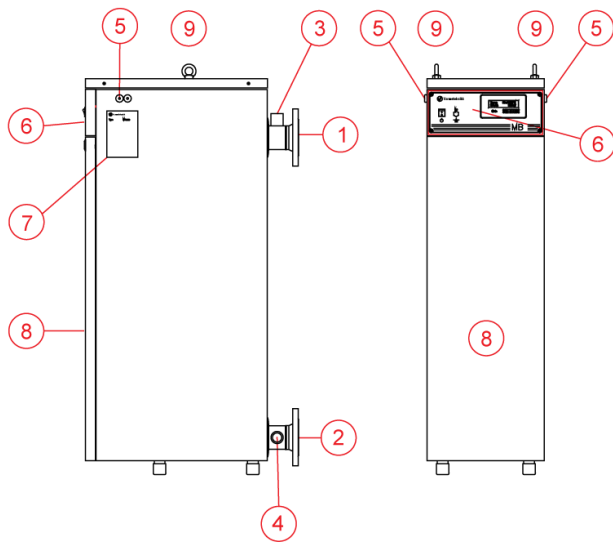
| TYPE | kW | VOLTAGE 50 Hz 3-PHASE | | | AMP | REGULATION | DRY WEIGHT KG | WATER VOLUME | FLANGE SUPPLY/RETURN | DRAIN/ EXPANSION |
|---------|-----|--------------------------|-------|-------|-----|------------|------------------|-----------------|-------------------------|---------------------|
| | | 230 V | 400 V | 690 V | | | | | | |
| MB 2035 | 35 | ● | | | 88 | 7-step | 130 | 75 | DN 65/16 | 1" |
| MB 2045 | 45 | ● | | | 113 | 7-step | 130 | 75 | DN 65/16 | 1" |
| MB 2060 | 60 | ● | | | 151 | 7-step | 135 | 75 | DN 65/16 | 1" |
| MB 2075 | 75 | ● | | | 188 | 7-step | 135 | 75 | DN 65/16 | 1" |
| MB 2090 | 90 | ● | | | 226 | 7-step | 140 | 75 | DN 65/16 | 1" |
| MB 2105 | 105 | ● | | | 264 | 7-step | 140 | 75 | DN 65/16 | 1" |
| MB 2120 | 120 | ● | | | 301 | 7-step | 145 | 75 | DN 65/16 | 1" |
| MB 2140 | 140 | ● | | | 351 | 7-step | 145 | 75 | DN 65/16 | 1" |
| MB 2150 | 150 | ● | | | 377 | 7-step | 150 | 75 | DN 65/16 | 1" |
| MB 4035 | 35 | | ● | | 51 | 7-step | 130 | 75 | DN 65/16 | 1" |
| MB 4045 | 45 | | ● | | 65 | 7-step | 130 | 75 | DN 65/16 | 1" |
| MB 4060 | 60 | | ● | | 87 | 7-step | 135 | 75 | DN 65/16 | 1" |
| MB 4075 | 75 | | ● | | 108 | 7-step | 135 | 75 | DN 65/16 | 1" |
| MB 4090 | 90 | | ● | | 130 | 7-step | 140 | 75 | DN 65/16 | 1" |
| MB 4105 | 105 | | ● | | 152 | 7-step | 140 | 75 | DN 65/16 | 1" |
| MB 4120 | 120 | | ● | | 173 | 7-step | 145 | 75 | DN 65/16 | 1" |
| MB 4140 | 140 | | ● | | 202 | 7-step | 145 | 75 | DN 65/16 | 1" |
| MB 4150 | 150 | | ● | | 217 | 7-step | 150 | 75 | DN 65/16 | 1" |
| MB 6035 | 35 | | | ● | 29 | 7-step | 130 | 75 | DN 65/16 | 1" |
| MB 6045 | 45 | | | ● | 38 | 7-step | 130 | 75 | DN 65/16 | 1" |
| MB 6060 | 60 | | | ● | 50 | 7-step | 135 | 75 | DN 65/16 | 1" |
| MB 6075 | 75 | | | ● | 63 | 7-step | 135 | 75 | DN 65/16 | 1" |
| MB 6090 | 90 | | | ● | 75 | 7-step | 140 | 75 | DN 65/16 | 1" |
| MB 6105 | 105 | | | ● | 88 | 7-step | 140 | 75 | DN 65/16 | 1" |
| MB 6120 | 120 | | | ● | 100 | 7-step | 145 | 75 | DN 65/16 | 1" |
| MB 6140 | 140 | | | ● | 117 | 7-step | 145 | 75 | DN 65/16 | 1" |
| MB 6150 | 150 | | | ● | 126 | 7-step | 150 | 75 | DN 65/16 | 1" |

Current regulations for safety and electrical systems must always be followed!



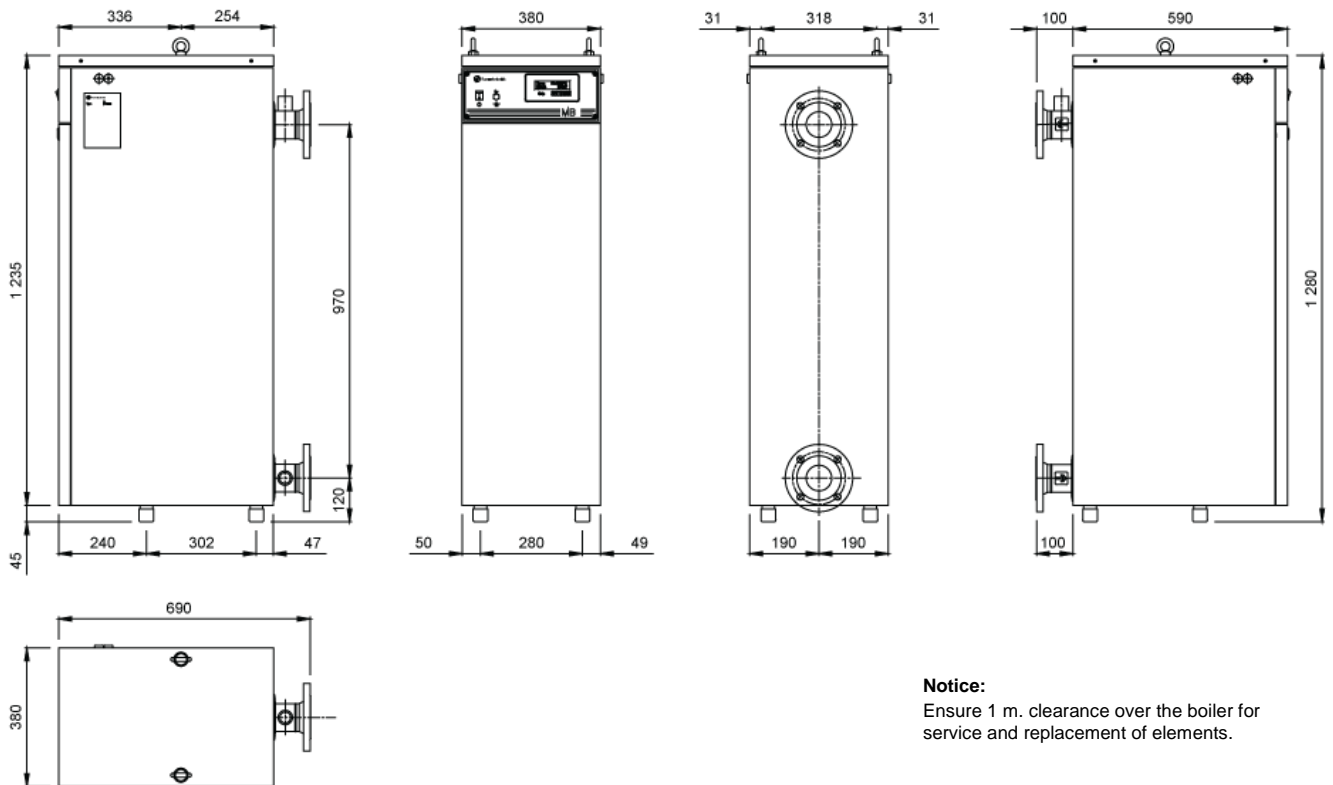
e-boilers up to 60 kW are marked accordingly to Directive 2012/27/EU on energy efficiency





1. Hydraulic outlet DN65 PN16
2. Hydraulic inlet DN65 PN16
3. 1" muff for venting/safety valve
4. 1" muff for drain/expansion
5. Cable inlets for control voltage/signals
6. Control panel
7. Type plate
8. Door
9. Lifting eye/hook

All dimensions in mm.



Notice:
Ensure 1 m. clearance over the boiler for service and replacement of elements.